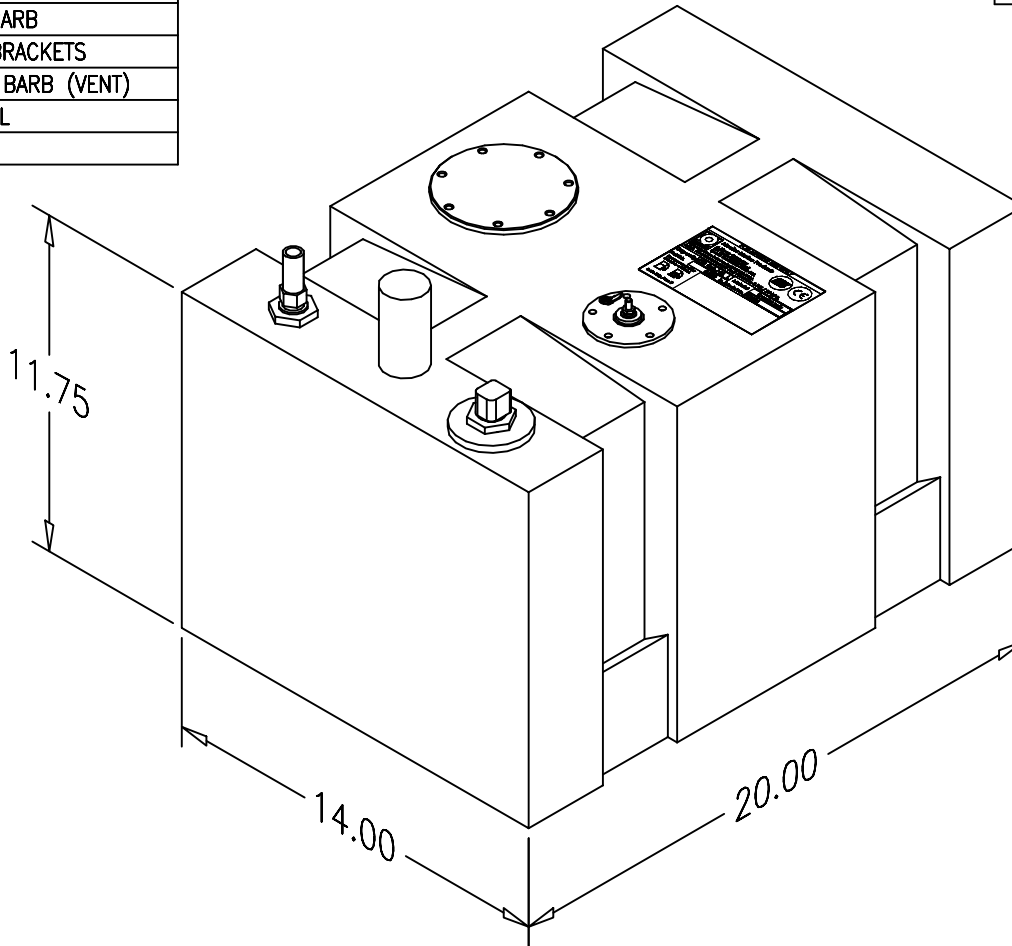


BILL of MATERIALS

Qty.	DESCRIPTION
1	ROCHESTER SENDING UNIT 10.85"
1	BLOCK OFF PLATE FOR Ø3.00 CUT OUT
1	ALUM. PL3 PICKUP W/O BARB
4	HOOK POCKETS W/ OUT BRACKETS
1	3/8 NPT INSERT W/ 5/8 BARB (VENT)
1	Ø1.50 X 2.75 MOLDED FILL
	OVERALL HEIGHT 14.25"

NO.	REVISION	DATE
1	REPLACE ALUMINIUM FILL W/ MOLDED	6/27/09
2	REPLACE PRIME W/ ROCHESTER	9/10/09
3	REPLACED LABEL W/ NEW LABEL	
	ADDED BLOCK OFF PLATE - AMC	9/30/11



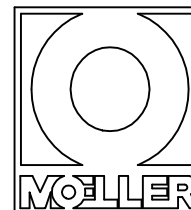
NOTE: ALL EDGES HAVE R0.375
UNLESS OTHERWISE NOTED

DARGEL BOATS PART #

CUSTOMER APPROVAL	
NAME:	
DATE:	

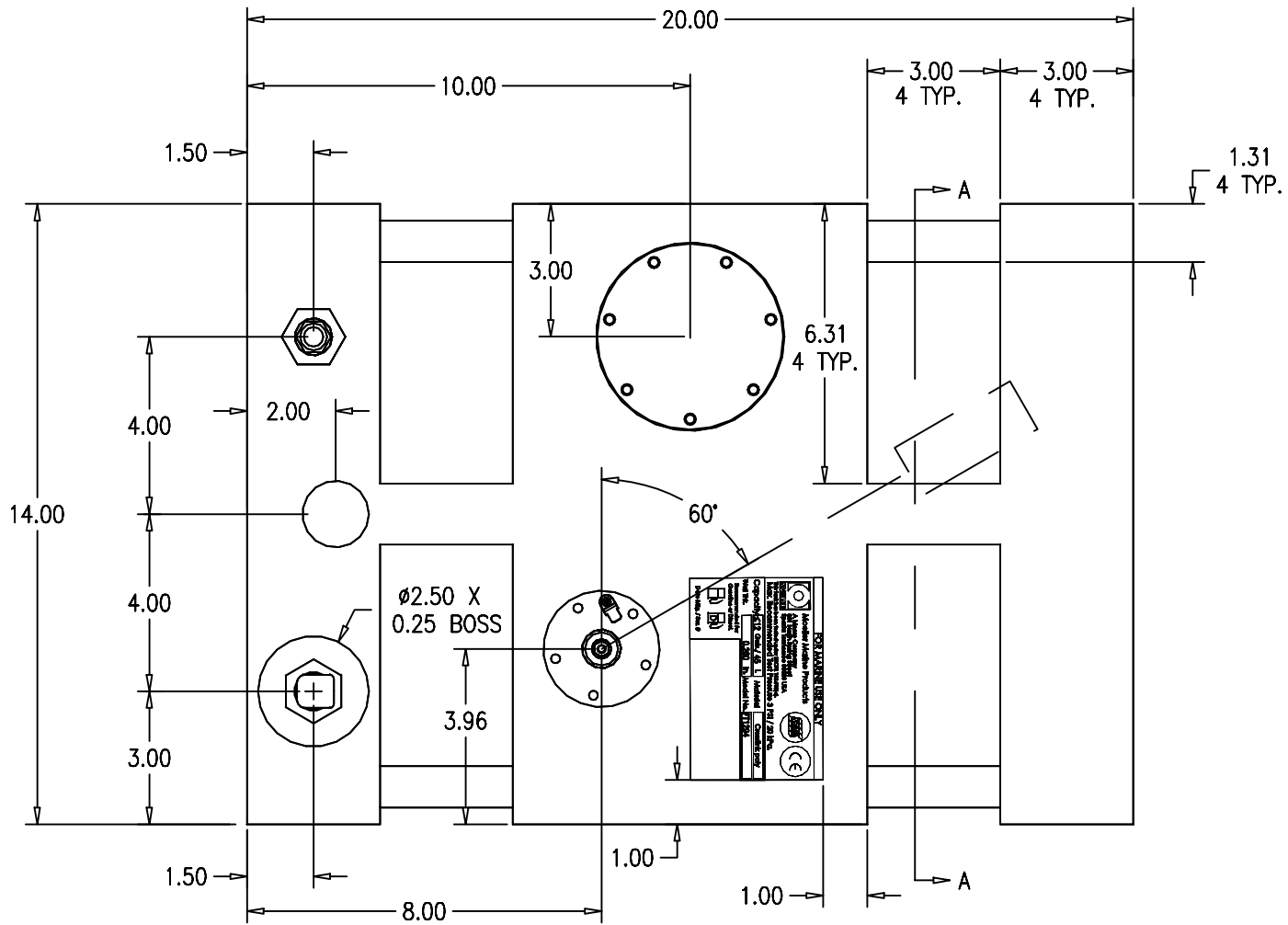
PAGE 1 OF 4

© 2011 MOELLER MARINE PRODUCTS
ALL RIGHT RESERVED



DESCRIPTION	12 GALLON FUEL TANK (032612)		
PART #	FT1294-1	COLOR	NATURAL
MATERIAL	CROSSLINK POLYETHYLENE		
TOLERANCES	±1.5% UNLESS OTHERWISE NOTED		
WALL THK.	0.200"	DATE	9/10/09
DRAWN BY	MOELLER ENGINEERING		

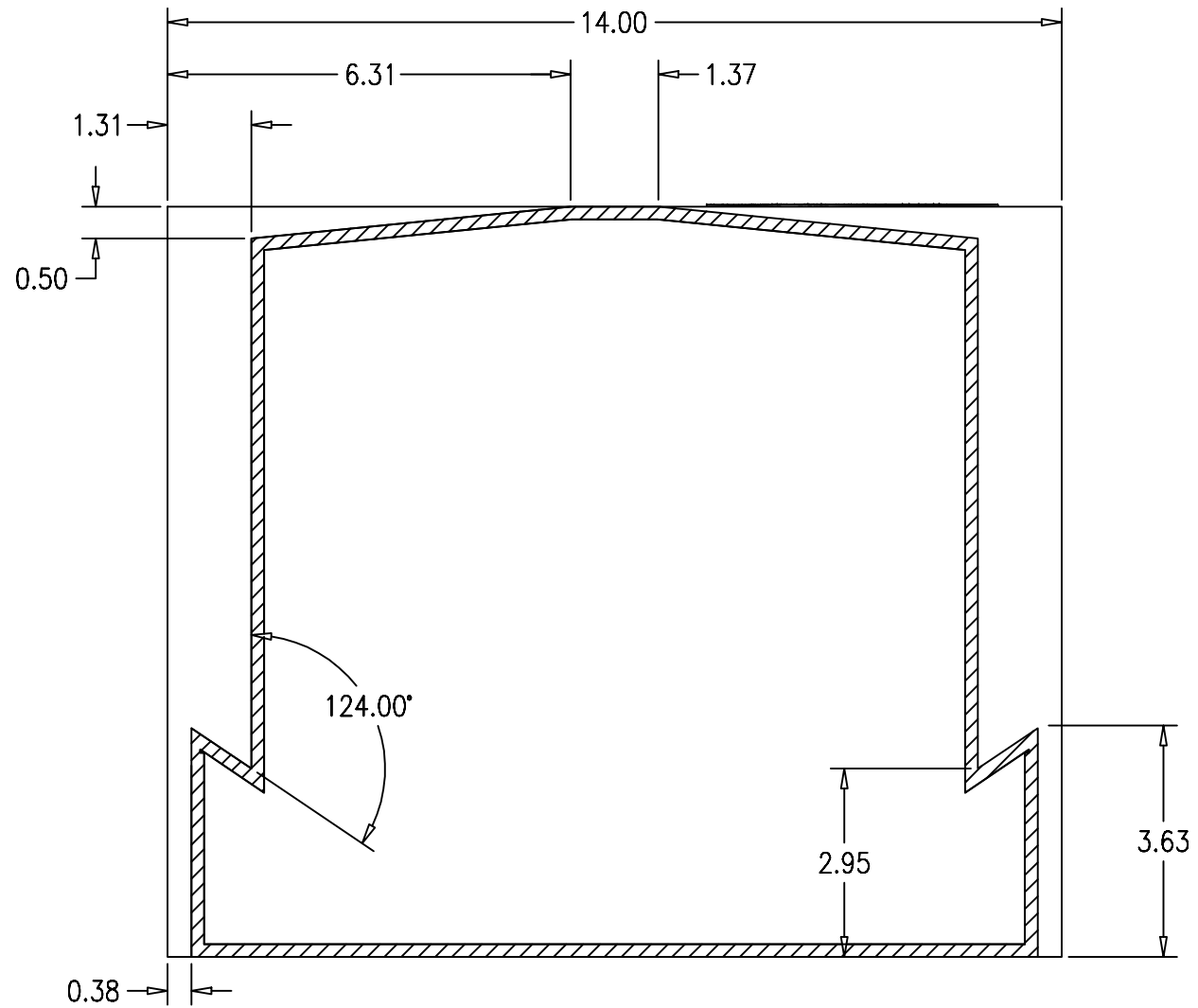
THIS DRAWING AND THE ATTACHED DRAWINGS (AND THE DATA SHOWN THERON) IS CONFIDENTIAL AND PROPRIETARY AND SHALL NOT BE USED, DISCLOSED TO OTHERS, REPRODUCED FOR ANY PURPOSE EXCEPT FOR QUOTATION TO OR ORDER BY MOELLER MARINE PRODUCTS, INC. AND/OR IT'S SUBSIDIARIES WITHOUT THEIR WRITTEN CONSENT TO THE USE OF SUCH DRAWINGS AND/OR DATA.



NOTE: DIMENSIONS ARE TO THE WALLS NOT TO THE LIP UNLESS OTHERWISE NOTED

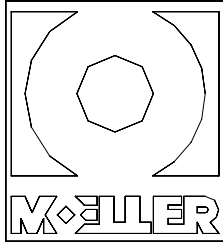
TOP VIEW
9/10/09

PAGE 2
FT1294-1



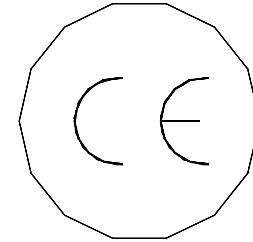
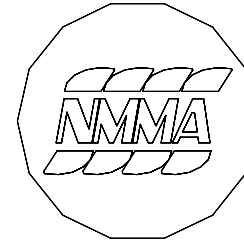
SECTION A-A
9/10/09

FOR MARINE USE ONLY



Moeller Marine Products

A Moore Company
801 North Spring Street
Sparta Tennessee 38583 USA



This tank has been tested under 33CFR 183.510(a).

Max. Recommended Test Pressure 3 PSI / 20 kPa.

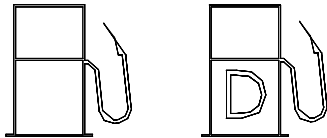
Capacity

Material

Wall Thk.

Model No.

Recommended for
Gasoline or Diesel.



Date Mfg. / Ser. #